

ALBANY

ENTRE//MATIC



Puertas & Portones Automaticos S.A. de C.V.

¡Nuestra pasión es la Solución!....

»PUERTAS RAPIDAS ENROLLABLES MARCA ALBANY MOD.ULTRAFASST.

ALBANY Ultra Fast



MANUAL DE INSTALACION

(229) 461-7028



portonesautomaticos@adsver.com.mx
ads.portonesautomaticos@outlook.com



IDA
International Door Association



V05.26



(229) 927-55107, 167-8080, 167-8007, 151-7529

www.adsver.com.mx

APS Resource Warranty



APS Resource warrants that, except as noted below, any part or product sold by it will be free from defects in material and workmanship for a period of one year from the date of initial shipment by APS Resource. This warranty covers only the particular part or product supplied by APS Resource and does not extend to any other component or equipment. This warranty does not apply to signal or control light bulbs. Parts requiring replacement due to vehicle impact, abuse, or improper installation or operation of equipment are not covered by this warranty. APS Resource's sole liability in connection with the sale of its parts and products is limited to the replacement of the particular defective part or product supplied by APS Resource.

Except as set forth above APS Resource makes no warranty, express or implied, with respect to any parts or products, and APS Resource disclaims any implied warranties, including those of merchantability or fitness for any purpose. In no event shall APS Resource be liable for any incidental, consequential or special damages of any kind.

APS RESOURCE DISCLAIMS ALL WARRANTIES AND LIABILITIES, whether express or implied, arising out of the use of any PARTS in a manner inconsistent with the installation, operation, service and/or maintenance instructions and all warnings provided by the Original Equipment Manufacturer (OEM). Purchasers should refer to the applicable OEM written materials when selecting, purchasing, installing, maintaining, or servicing PARTS. APS RESOURCE has not independently reviewed any OEM written materials for completeness or accuracy and DISCLAIMS ANY RESPONSIBILITY OR LIABILITY arising out of any errors and/or omissions in such materials. In selling PARTS, APS RESOURCE is not attempting to modify and DISCLAIMS ANY RESPONSIBILITY OR LIABILITY for any modification to and/or any updating of the original equipment and all of its components.

APS RESOURCE
6219 W. EASTWOOD COURT
MEQUON, WI. 53092

Table of Contents

[APS Resource Warranty](#) 2

[Introduction](#)..... 4

[Bottom Beam](#) 7

[Side Frame](#) 10

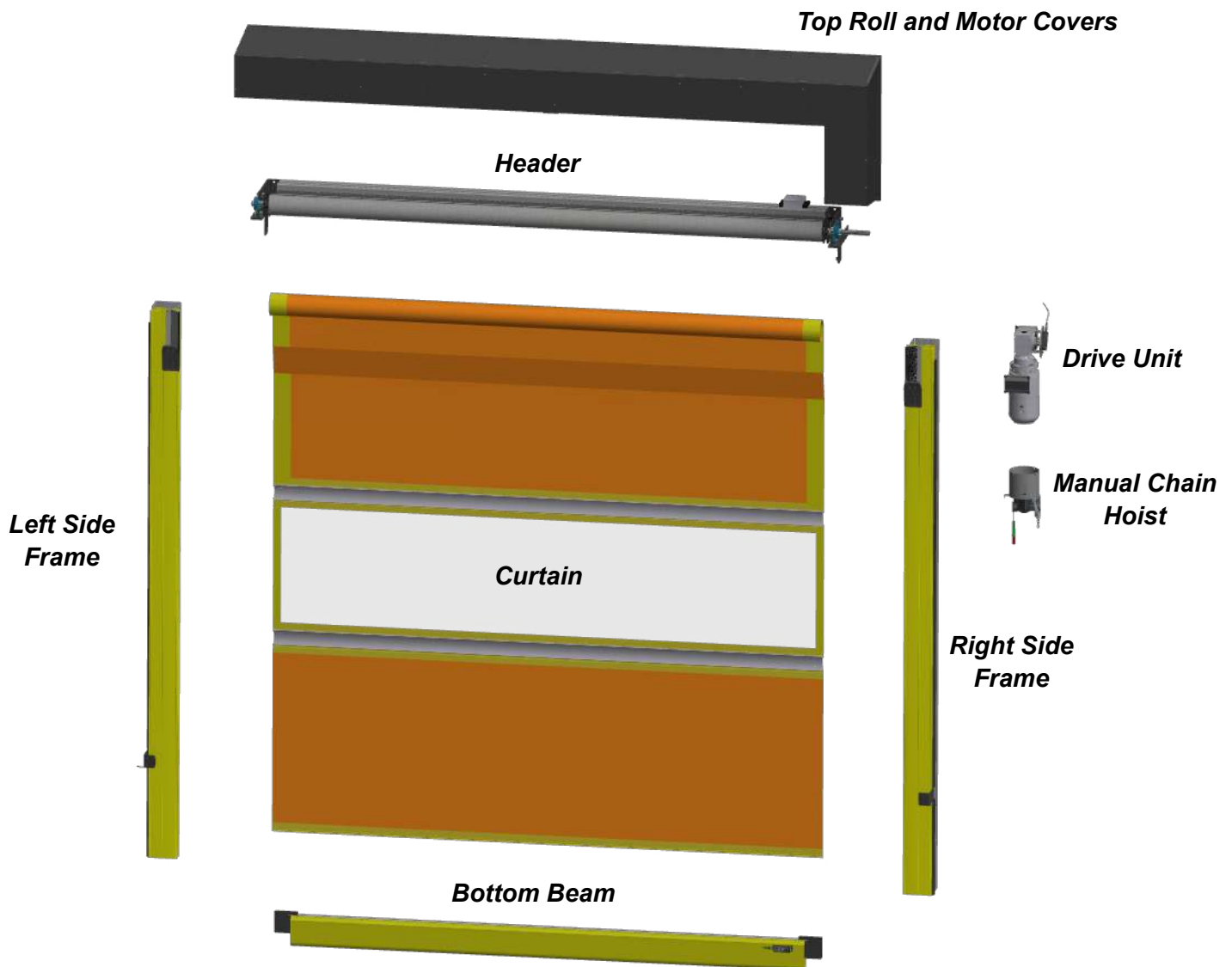
[Header](#) 14

[Drive Unit](#)..... 16

[Manual Chain Hoist](#) 22

[Top Roll and Motor Covers](#) 23

[Curtain](#) 25



Introduction



How to Use this Parts Guide



This section explains the visual clues and conventions that will help you quickly locate the information you need. Other conventions and icons identify interactive elements that will provide additional information when using the online version of this manual.

Basic Elements

- Names of menus, buttons, icons, and fields are highlighted in bold text
- Text highlighted in blue indicates a link you can click to navigate to another topic.

Interactive online Elements

These elements are available in the online version of the document. The URL for the online version is provided on the back page of the manual. Scan the QR code above the URL for quick access to the online document.

- Numbered blue circles on diagrams and figures indicates a link to more information about the numbered part or element. Click on the circle for additional information.
- A pointing hand icon next to a figure indicates that the figure is interactive. Click on the figure for a different view of the feature or part or for additional information. 
- A play button (triangle) on a figure indicates a video that provides additional information about the part or feature. Click on the triangle to play the video. 

The blue TOC icon at the top of every page takes you back to the Table of Contents.



Safety signal words

You may find safety signal words such as DANGER, WARNING, CAUTION, or NOTICE in the User's Manual. The use of Safety Signal Words is explained on the next page.



WARNING AND CAUTION SYMBOL

This symbol is the Safety alert symbol. It is used to alert you to potential personal injury hazards, Obey all safety messages that follow this symbol to avoid possible death or injury..

 **DANGER**

DANGER SYMBOL

Indicates an imminently hazardous situation which, if not avoided, will result in death or serious injury.

 **CAUTION**

CAUTION SYMBOL

Indicates a potentially hazardous situation, which, if not avoided may result in minor or moderate injuries.

 **WARNING**

WARNING SYMBOL

Indicates a potentially hazardous situation, which, if not avoided, could result in death or serious injury.

 **NOTICE**

NOTICE SYMBOL

Notice is used to address practices not related to personal injury.

Safety Practices

⚠ WARNING

Read and understand the original door's Owners and Installation manuals before installing, operating, or servicing the equipment.

Failure to follow the manufacturers safety practices could result in death or serious injury.

If you do not understand the instructions, ask your supervisor to explain them to you or call your authorized 4Front Engineered Solutions, Inc. distributor.

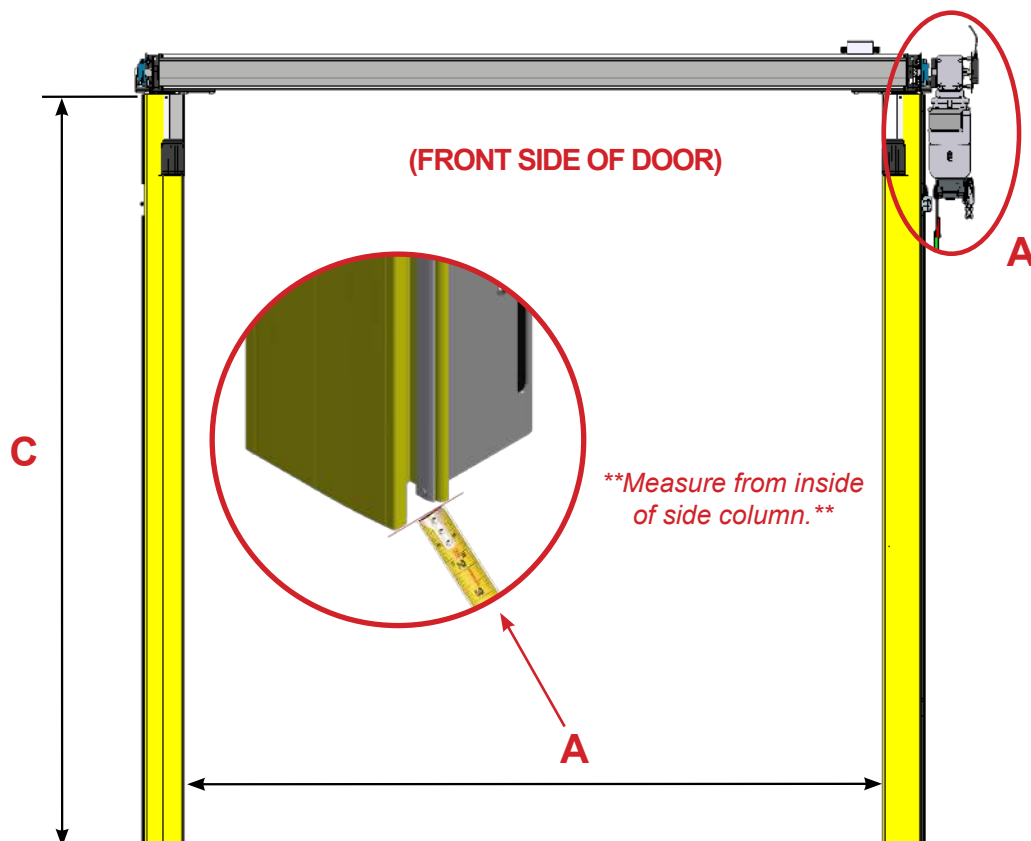
The purpose of this parts guide is solely for the use of identifying parts and assemblies. This parts guide is designed as a guideline only, your door may be different and feature unique and/or custom parts.

Door Manufacturing Information

A) Door Width (DW) is the distance between each side column.

B) Your door's "Drive Side" refers to the side of the door with the drive unit when looking at the FRONT SIDE of the door. EXAMPLE SHOWN BELOW IS RIGHT-HAND DRIVE.

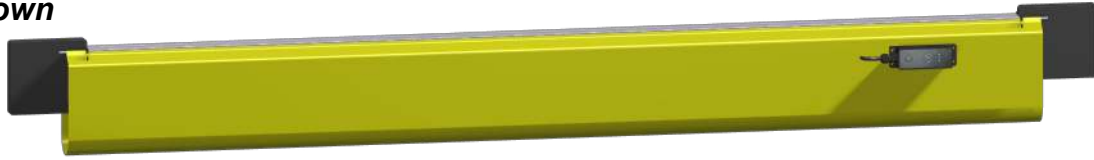
C) Front Side Frame Column Length = Door Height (DH) + 9.125"



PARTS - Bottom Beam



RH Drive Shown



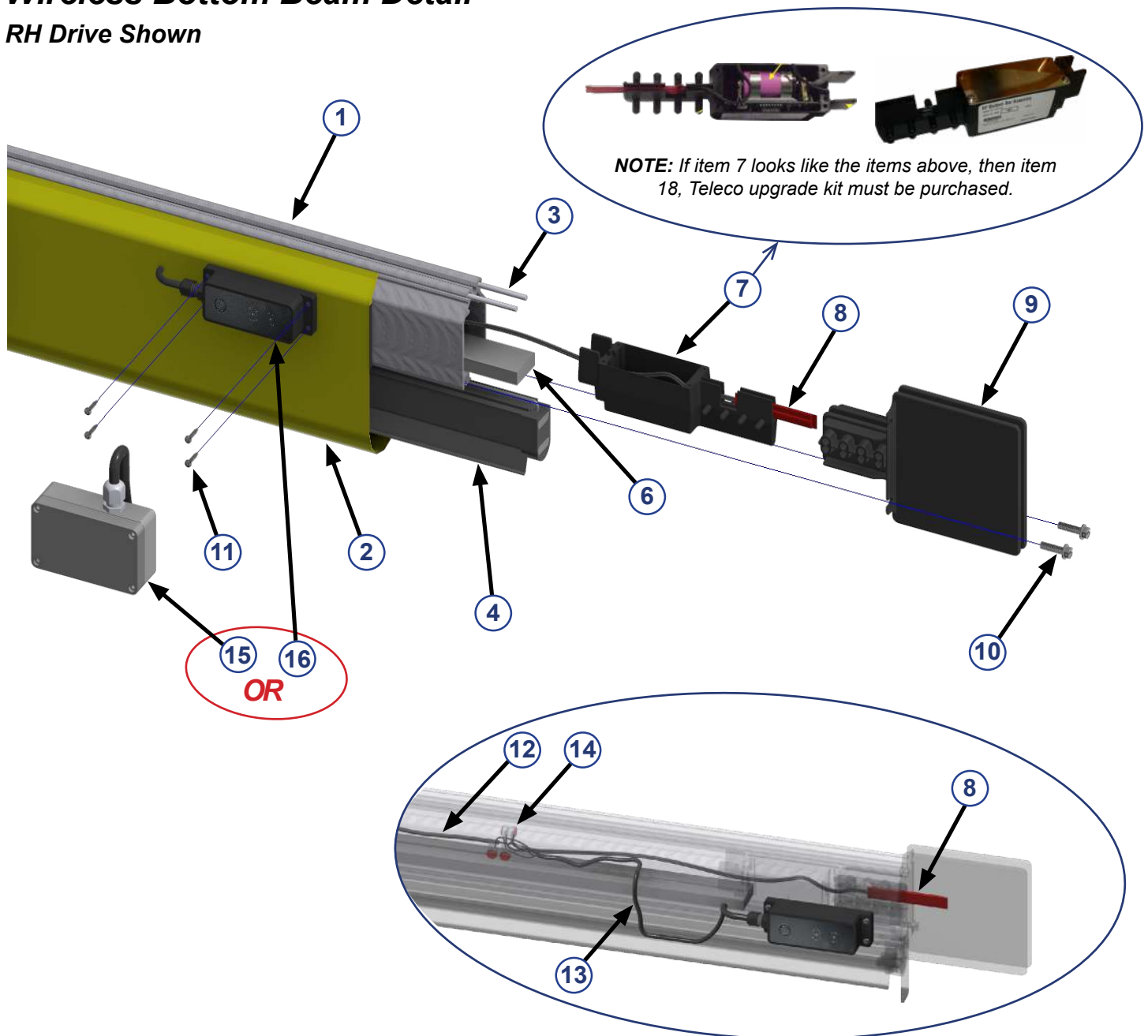
ITEM #	DESCRIPTION	PART #	QTY	
	BOTTOM BEAM ASSEMBLY, ULTRA FABRIC, RIGHT-HAND DRIVE **INCLUDES ITEMS 1-4 & 6-14**	<i>if DW <= 120"</i>	BB-ULTFAB-10-RH	(SUBMIT DW AND SERIAL # WITH ORDER)
		<i>if 120" < DW <= 144"</i>	BB-ULTFAB-12-RH	
		<i>if 144" < DW <= 168"</i>	BB-ULTFAB-14-RH	
		<i>if 168" < DW <= 216"</i>	BB-ULTFAB-18-RH	
		<i>if DW > 216"</i>	BB-ULTFAB-20-RH	
	BOTTOM BEAM ASSEMBLY, ULTRA FABRIC, LEFT-HAND DRIVE **INCLUDES ITEMS 1-4 & 6-14**	<i>if DW <= 120"</i>	BB-ULTFAB-10-LH	
		<i>if 120" < DW <= 144"</i>	BB-ULTFAB-12-LH	
		<i>if 144" < DW <= 168"</i>	BB-ULTFAB-14-LH	
		<i>if 168" < DW <= 216"</i>	BB-ULTFAB-18-LH	
		<i>if DW > 216"</i>	BB-ULTFAB-20-LH	
SPECIAL BOTTOM BEAM ASSEMBLY FOR CORDED EDGE WITH ULTRASMART CONTROL PANEL **INCLUDES ITEMS 1-3 & 5-14**		CONTACT APS RESOURCE FOR INQUIRIES		
1	BOTTOM BAR, ALUMINUM EXTRUSION	4721T0029	1 (SUBMIT LENGTH WITH ORDER)	
2	LOOP SEAL, NON-INSULATED	8250TG002	DW + 1.00"	
3	PVC CORD STOCK 3/16"	4101TG002	2 x (L = DW + 2)	
4	WIRELESS REVERSING EDGE - ALL CONTROL PANELS OR CORDED REVERSING EDGE - WITHOUT ULTRASMART CONTROL PANEL	<i>if DW <= 96"</i>	REV-ULTFAB-8	1 (SUBMIT DW WITH ORDER)
		<i>if 97" < DW < 120"</i>	REV-ULTFAB-10	
		<i>if 121" < DW < 144"</i>	REV-ULTFAB-12	
		<i>if 145" < DW < 168"</i>	REV-ULTFAB-14	
		<i>if DW >= 168"</i>	REV-ULTFAB-22	
5	CORDED REVERSING EDGE WITH ULTRASMART CONTROL PANEL	<i>if DW <= 96"</i>	REV-ULTSPL-8	
		<i>if 97" < DW < 120"</i>	REV-ULTSPL-10	
		<i>if 121" < DW < 144"</i>	REV-ULTSPL-12	
		<i>if 145" < DW < 168"</i>	REV-ULTSPL-14	
		<i>if DW >= 168"</i>	REV-ULTSPL-22	
6	BOTTOM BAR WEIGHT 0.5 x 1.5	D000062	1 (SUBMIT LENGTH WITH ORDER)	
7	BOTTOM BAR END BLOCK	D000675	2	
8	3.5" BREAKAWAY SWITCH LOW SENSITIVITY	D000967	2	
9	BREAKAWAY TAB (MOLDED)	D000749	4	
10	SCREW, THREADING HEX WASHER HD, 14-20 x 1.00" LG	D000036	4	
11	PHILLIPS DRILLING SCREW, M3.9, 22MM LG	AP12481	4	
12	CORD BREAKAWAY SWITCH CONNECTION	D000147	L = (DW + 24")	
13	BOTTOM BAR WIRE 4 CONDUCTOR 22 AWG	D000806	3 FEET	
14	ELECTRICAL CONNECTOR, WATER TIGHT	4910T0012	6	

NOTE: All references to "DW" refer to the Door Width measurement in inches.

ITEM #	DESCRIPTION	PART #	QTY
15	TELECO WIRELESS TRANSMITTER	4904T0027	1
16	SEYWAVE WIRELESS TRANSMITTER KIT	K4907T0106	
NOT SHOWN	BATTERY FOR SEYWAVE AND TELECO TRANSMITTER **INCLUDED WITH TRANSMITTER PURCHASE**	4909T0020	1 if SEYWAVE
NOT SHOWN	LITHIUM BATTERY FOR WIRELESS ULTRASMART	D001188	1
17	COIL CORD KIT FOR WIRED EDGE	AP10940	1
18	KIT, ULTRASMART WIRELESS UPGRADE TO TELECO	AP10730	1
NOT SHOWN	NOTICE **WIRELESS UPGRADE KIT INCLUDES TELECO SENDER, RECEIVER, AND WIRING.** **ONLY WORKS WITH ITEM 4, WIRELESS REVERSING EDGE.**		

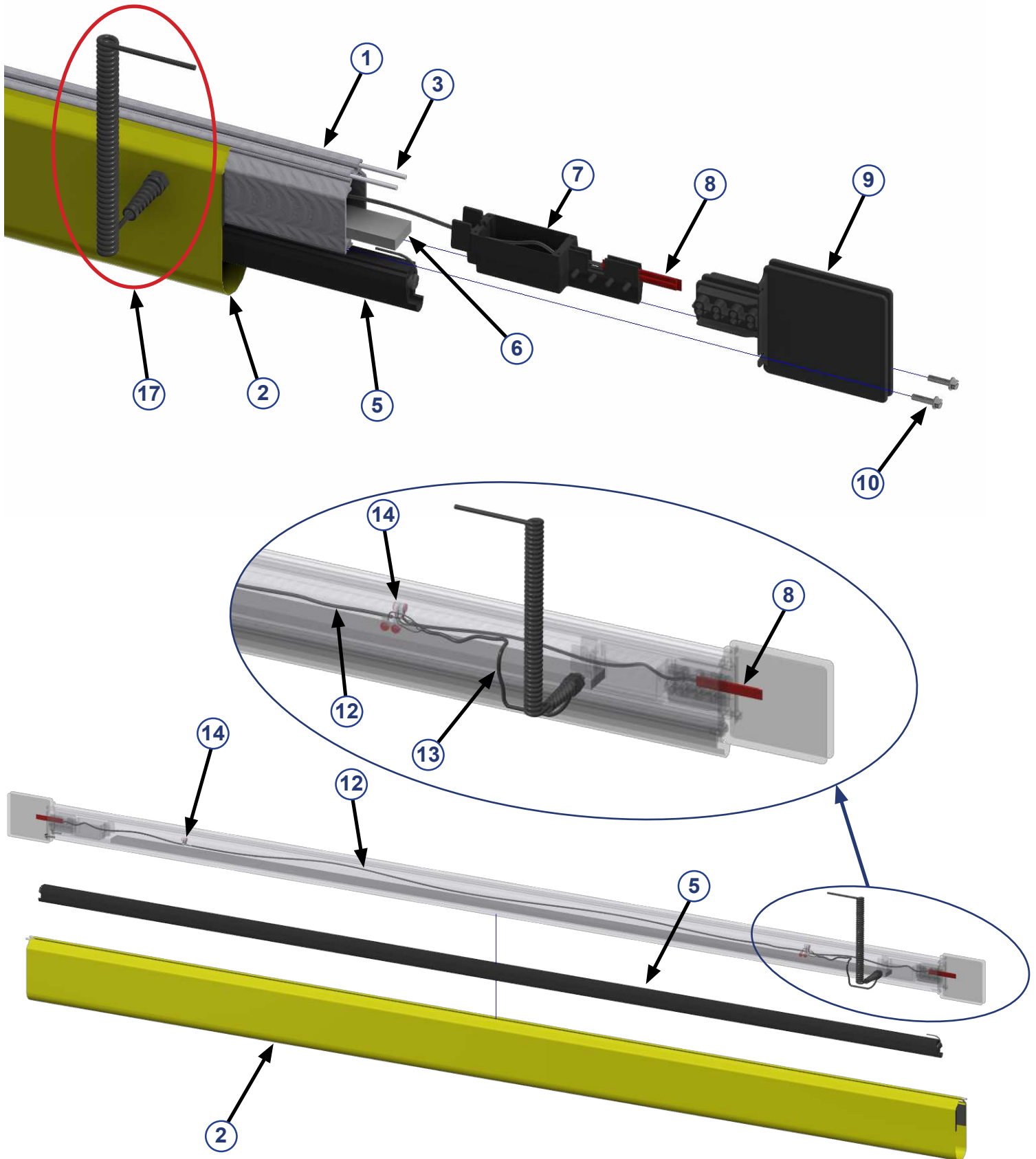
Wireless Bottom Beam Detail

RH Drive Shown



Corded Bottom Beam Detail

RH Drive Shown

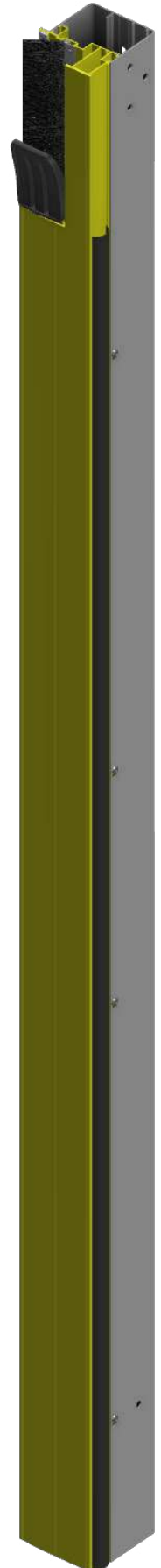


PARTS - Side Frames

RH Side Shown



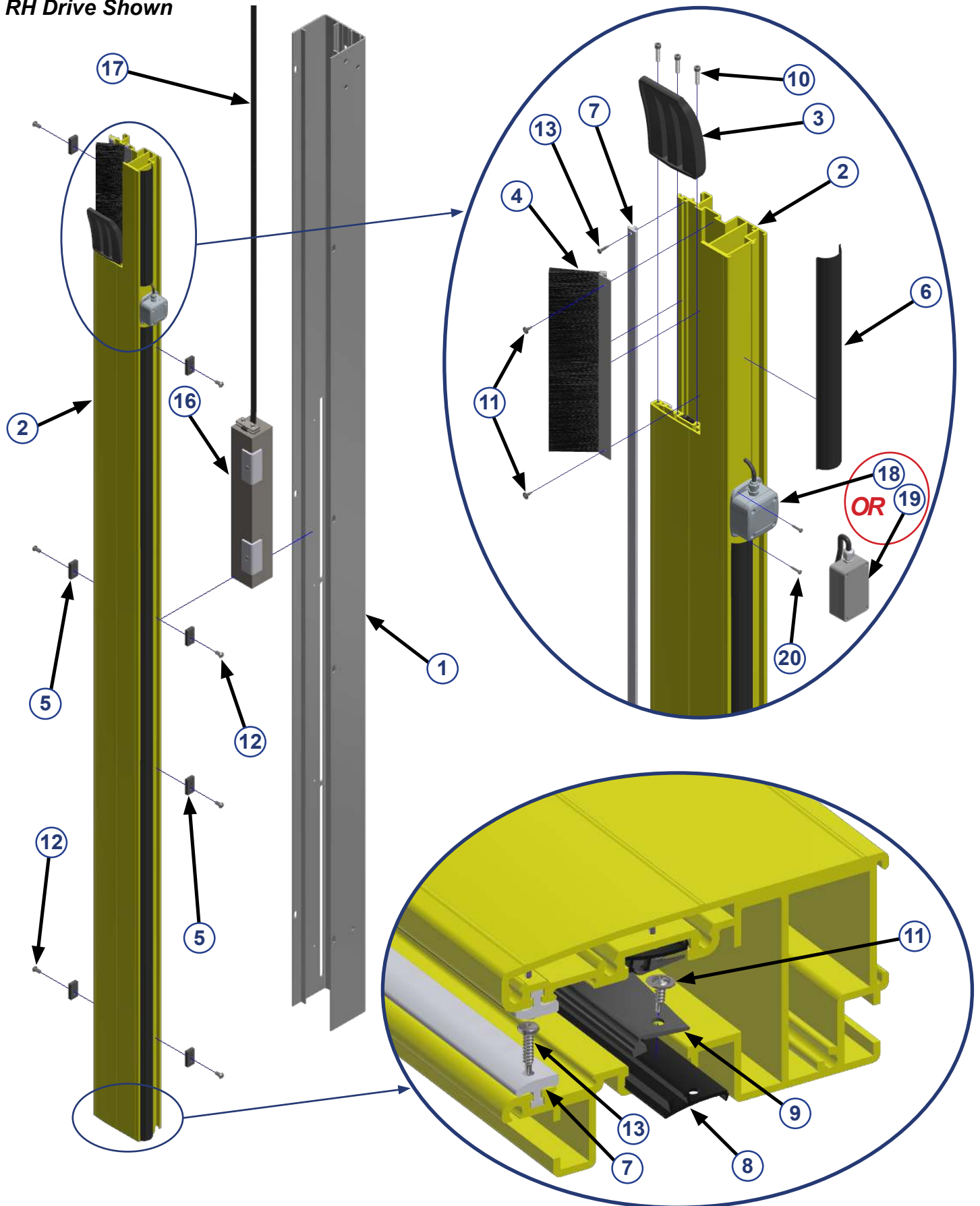
ITEM #	DESCRIPTION	PART #	QTY PER SIDE	
-	ULTRA FAST RIGHT SIDE FRAME ASSEMBLY **INCLUDES ITEMS 1-13**	if DH <= 120"	SF-ULTFAST-R-10	- (SUBMIT DH AND SERIAL # WITH ORDER)
		if 120" < DH <= 168"	SF-ULTFAST-R-14	
		if 168" < DH <= 216"	SF-ULTFAST-R-18	
		if DH > 216"	SF-ULTFAST-R-20	
	ULTRA FAST LEFT SIDE FRAME ASSEMBLY **INCLUDES ITEMS 1-13**	if DH <= 120"	SF-ULTFAST-L-10	
		if 120" < DH <= 168"	SF-ULTFAST-L-14	
		if 168" < DH <= 216"	SF-ULTFAST-L-18	
		if DH > 216"	SF-ULTFAST-L-20	
NOTICE SIDE FRAME ASSEMBLIES ARE FOR DOORS HEIGHTS <= 20FT. CONTACT APS RESOURCE FOR INQUIRES FOR DOORS > 20FT.				
1	REAR COLUMN EXTRUSION, RIGHT	AP13679	1 (SUBMIT LENGTH WITH ORDER)	
	REAR COLUMN EXTRUSION, LEFT	AP13680		
2	FRONT COLUMN EXTRUSION, RIGHT	AP13644	1 (SUBMIT LENGTH WITH ORDER)	
	FRONT COLUMN EXTRUSION, LEFT	AP13647		
3	RETRACK FLAP	D000019	1	
4	BRUSH SEAL ASSEMBLY, 3" x 13" LG	D001090	1	
5	T-SLOT PLATE	D000021	VARIABLES	
NOT SHOWN	SET SCREW ALLEN HEAD, 1/4"-20, 1/2" LONG	D000022	1 PER T-SLOT	
6	FRONT COLUMN WIRE COVER, 14 FT LONG	D000820	VARIABLES	
7	GLIDE STRIP, 16 FT LONG	D000822	VARIABLES	
8	FRONT COLUMN SEAL HOLDER, 14 FT LONG	4001T0005	VARIABLES	
9	FRONT COLUMN SEAL	D001762	2*(DH + 6.00")	
10	SHCS, 1/4"-20, 1.00" LG	D000723	3	
11	PHILLIPS PAN TAPPING SCREW, #8-18, 1/2" LONG	D000315	6	
12	BUTTON SCREW, 3/8"-16, 3/4" LONG	D000412	VARIABLES	
13	PHILLIPS TAPPING SCREW, #8-18, 3/4" LONG	D000406	4	
14	HEX NUT, 1/4"-20	D000423	4	
15	BUTTON HEAD SCREW, 1/4"-20, 3/4" LG	D000424	4	
16	COUNTERWEIGHT ASSEMBLY, IF EQUIPPED	CONSULT APS RESOURCE	1	
17	COUNTERWEIGHT STRAP	D000052	DH + 12.00"	
ONLY DRIVE SIDE	18	WIRELESS RECEIVER SEYWAVE	1	
	19	WIRELESS RECEIVER TELECO		
	20	PHILLIPS DRILLING SCREW, M3.9, 22mm LG	2	



NOTE: All references to "DH" refers to the Door Height measurement in inches.

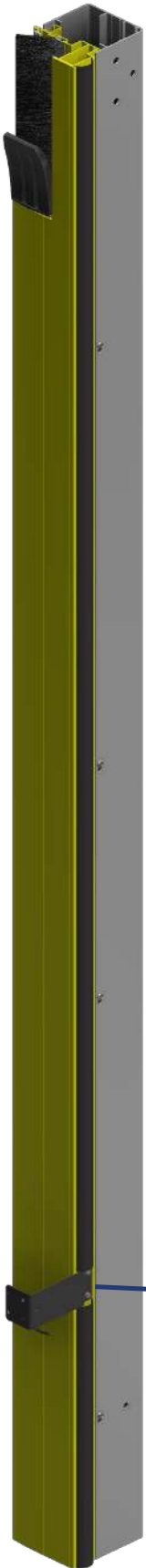
Side Frame Detail

RH Drive Shown



Side Frame Safety Options

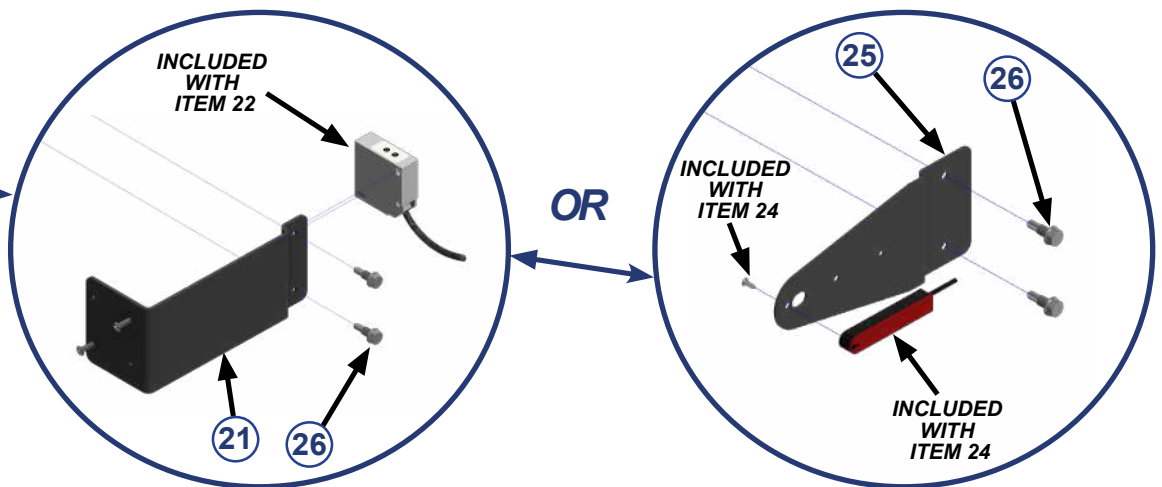
RH Side Shown



ITEM #	DESCRIPTION	PART #	QTY PER SIDE		
ONLY PHOTO EYES	21	PHOTO EYE FRONT BRACKET	D001430	1	
	22	PHOTOCELL SET, SENDER & RECEIVER	8904R0002	-	
	23	PHOTO EYE REAR BRACKET	D000639	1	
	24	KIT, PHOTO EYE SET	AP10313	-	
	25	PHOTO EYE FRONT BRACKET	D000629	1	
	26	DRILLING SCREW, #12-14, 3/4" LONG	AP7335	2	
ONLY LIGHT CURTAIN	27	LIGHT CURTAIN BRACKET, REAR	D000245	1	
	28	LIGHT CURTAIN BRACKET, FRONT	D000334	1	
	29A	LIGHT CURTAIN, TX, C-PROFILE, RELAY BLANKING	4904T0063	1	
		LIGHT CURTAIN, RX, C-PROFILE, RELAY BLANKING	4904T0064		
	29B	LIGHT CURTAIN MASTER TRANSMITTER, M12	D001154		
		LIGHT CURTAIN MASTER RECEIVER, M12	D001155		
		LIGHT CURTAIN MASTER RECEIVER, LOW GAIN, M12 <i>**ONLY IF DW <= 72**</i>	D001158		
		LIGHT CURTAIN SLAVE RECEIVER LOW GAIN, M12 <i>**ONLY IF DW <= 72**</i>	D001159		
	30	LIGHT CURTAIN CABLE, 15M LG <i>**PAIRS WITH ITEM 29A**</i>	4907T0116		1
		LIGHT CURTAIN CABLE, M12, 15M LG <i>**PAIRS WITH ITEM 29B**</i>	D001203		1
31	TOOTH LOCK NUT, #6-32 THREAD	D000405	2		
32	PHILLIPS SCREW, #6-32, 3/4" LONG	D000419	2		
-	LIGHT CURTAIN GUARD, HDPE KIT	K4402T0002	1		

NOTE: All references to "DW" refer to the Door Width measurement in inches.

Photo Eye Detail Front Mounting Option



Front Light Curtain Detail RH Side Shown

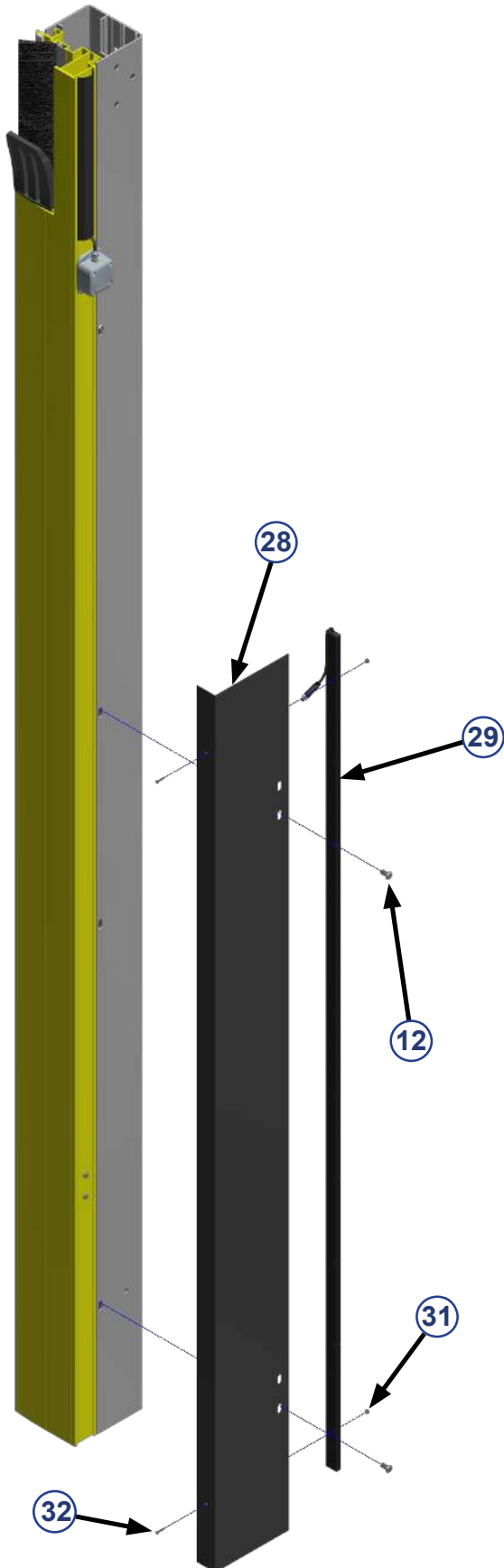
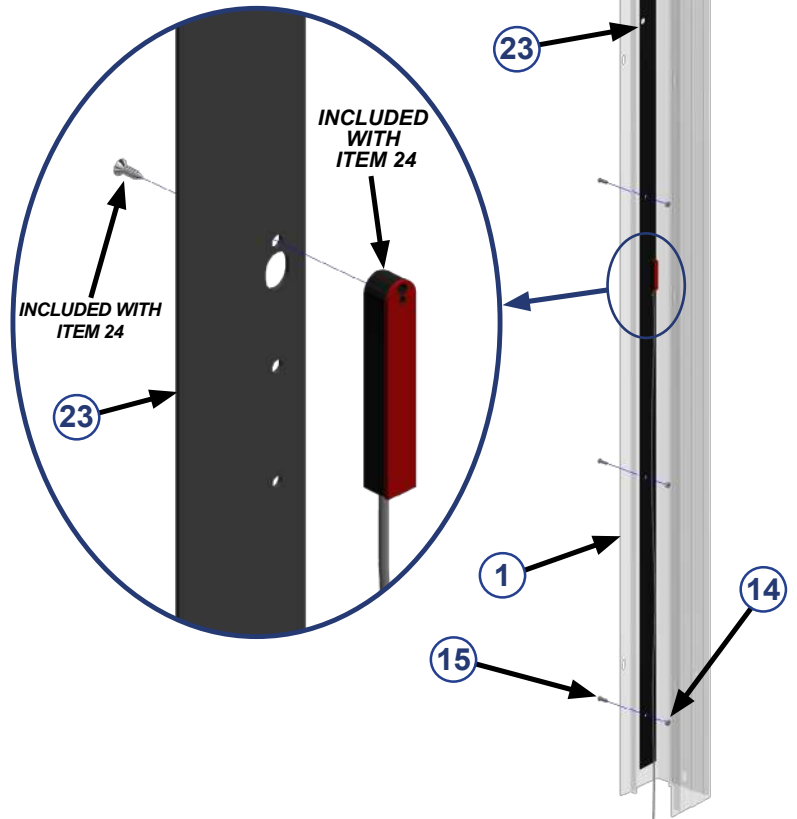
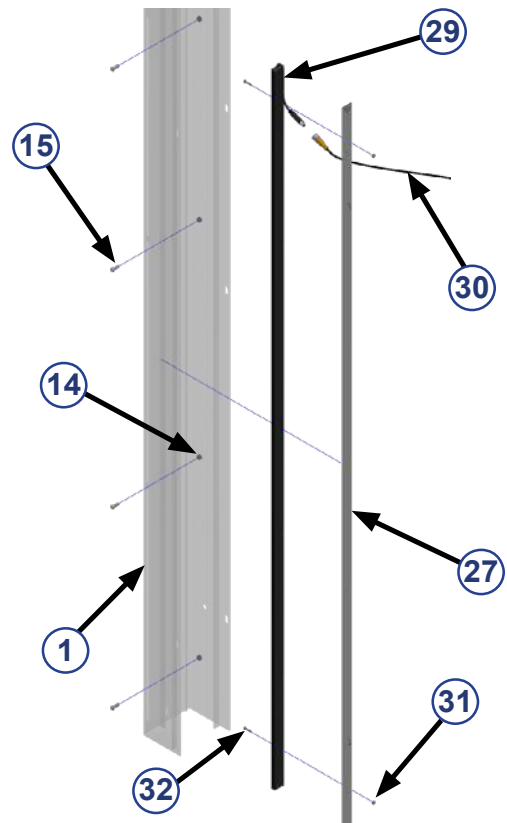


Photo Eye Detail Rear Mounting Option



Light Curtain Detail Rear Mounting Option



PARTS - Header

LH Side Shown

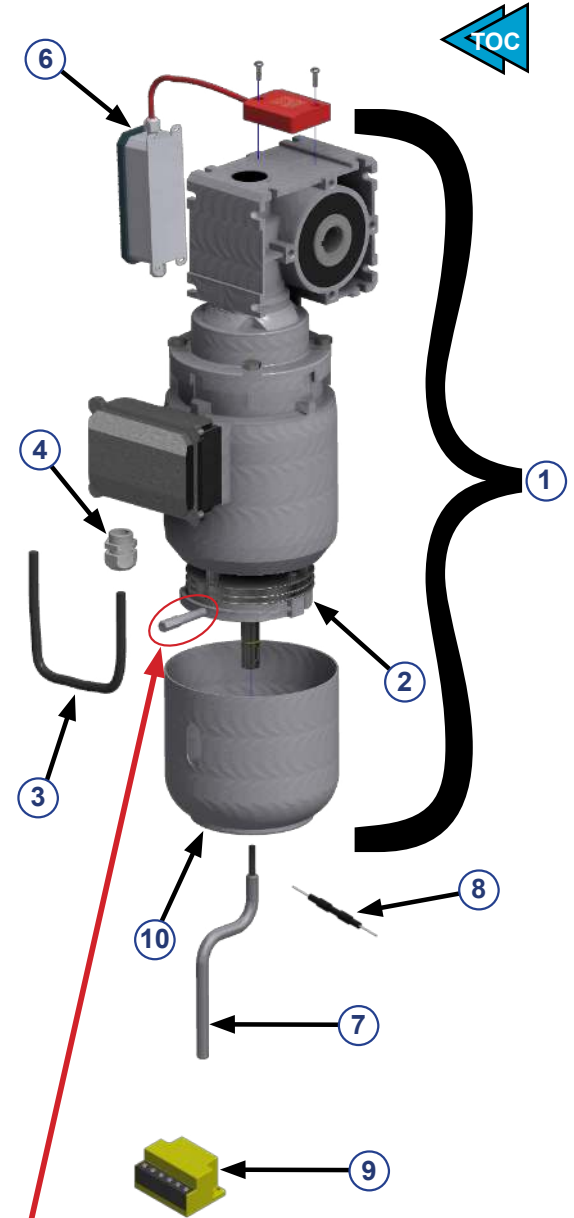


ITEM #	DESCRIPTION	PART #	QTY
1	DRUM TUBE WITH AXLES, (IF DW <= 168")	AP13265	1 (SUBMIT DW WITH ORDER)
	DRUM TUBE W/ AXLES, RH DRIVE (IF DW > 168")	AP13462	
	DRUM TUBE W/ AXLES, LH DRIVE (IF DW > 168")	AP13463	
2	COUNTERWEIGHT SPOOL	D000240	2
3	FLANGE BEARING, UCFL206	D000030	2
4	TOP CORNER BRACKET, RIGHT	D000236	1
	TOP CORNER BRACKET, LEFT	D000233	1
5	TOP BEAM EXTRUSION	D000610-S	1 (SUBMIT LENGTH WITH ORDER)
6	TOP BEAM CLOSURE, RIGHT	D000382	1
	TOP BEAM CLOSURE, LEFT	D000383	1
7	T-SLOT PLATE	D000021	4
8	HEX BOLT, 1/2"-13, 1.625" LG	D000422	4
9	USS FLAT WASHER, 1/2"	D000421	10
10	LOCKING NUT NYLON, 1/2"-13 THREAD	D000035	4
11	TOP SEAL FINISHED, 4"	D001148	2 x (L = DW + 8.00")
12	4" X 4" JUNCTION BOX, 7 OPENINGS	D000394	1
13	JUNCTION BOX COVER	D000514	1
14	HEX DRILLING SCREW, #12-14, 3/4" LONG	AP7335	4
15	SLOTTED HEX SCREW, 1/4"-20, 1/2" LONG	AP14234	2
16	HEX HEAD SCREW, 1/4"-20, 1.00" LONG	D000036	4
17	HEX SCREW, 1/2"-13, 1.00" LONG	000087	6
18	FLANGED HEX SCREW, 3/8"-16, 1.00" LONG	D000415	4
19	PULLEY YOKE SCREW, 1/2"-13, 4.00" LG	D000239	2
20	COUNTERWEIGHT PULLEY WHEEL	D000500	2
21	PULLEY YOKE	D000342	2
22	CLEVIS/COTTER PIN FOR COUNTERWEIGHT PULLEY	D000411	2
23	KEY STOCK, 1/4" SQUARE, 4.00" LG	D000046	1

NOTE: All references to "DW" refer to the Door Width measurement in inches.

PARTS - Drive Unit

ITEM #	DESCRIPTION	PART #	QTY
1	DRIVE UNIT **INCLUDES ITEM 2 + 10**	SEE TABLE	1
2	BRAKE UNIT, 20Nm 205VDC, PRECIMA 90 **IF 1.5 or 2.0 HP DRIVE**	D001379	1
	BRAKE UNIT, 40Nm 205VDC, PRECIMA 100 **IF 3.0 HP DRIVE**	D001380	
3	MOTOR CABLE, MCC/ACS100 CONTROL	4907T0054	1 <small>(SUBMIT LENGTH WITH ORDER)</small>
	MOTOR CABLE, ULTRASMART CONTROL	D001554	
4	CORD GRIP	4911T0006	1
5	BRAKE RELEASE PULL ROPE, YELLOW	D001460	1
6	GEARBOX HEATER KIT	AP11500	1
7	MOTOR CRANK	D000524	1
8	BIDIRECTIONAL DIODE	D001442	1
9	RECTIFIER, 230-480V, YELLOW	AP12040	1
	RECTIFIER, 200-575V, GREY	AP12660	
	RECTIFIER, 110-280V, BLACK	AP12035	
10	MOTOR FAN COVER FOR 1.5-2HP DRIVE	D001422	1
	MOTOR FAN COVER FOR 3HP DRIVE	D001423	

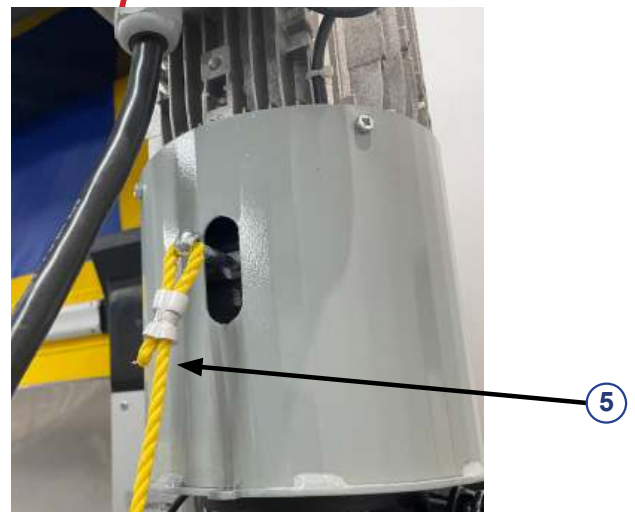


Drive Units, MCC Control System

PART #	DESCRIPTION
AP12216	DRIVE UNIT, 2HP, 10:1, 230-460V, SK1S163
AP12217	DRIVE UNIT, 1.5HP, 1SP, 15:1, 230/460V, SK1SI63
AP13405	DRIVE UNIT, 2HP, 15:1, 230-460V, SK1S163
AP13404	DRIVE UNIT, 3HP, 15:1, 230-460V, SK1S163

Drive Units, ACS100 Control System

PART #	DESCRIPTION
6601T1284	DRIVE UNIT, 2HP, 15:1, SK1S163
6601T1286	DRIVE UNIT, 3HP, 15:1, SK1S163_23 Nm BRAKE



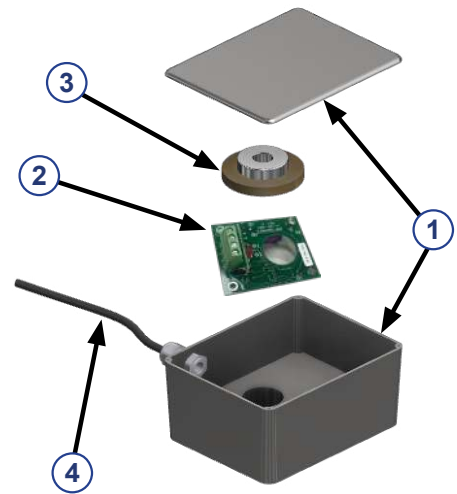
Drive Units, ULTRA SMART Control System

PART #	DESCRIPTION
AP13849	DRIVE UNIT, 1.5HP, 10:1, 230/460V, SK1S163
AP13850	DRIVE UNIT, 1.5HP, 15:1, 230/460V, SK1S163
AP13851	DRIVE UNIT, 2HP, 10:1, 230-460V, SK1S163
AP13852	DRIVE UNIT, 2HP, 15:1, 230-460V, SK1S163
AP13853	DRIVE UNIT, 3HP, 10:1, 230-460V, SK1S163
AP13854	DRIVE UNIT, 3HP, 15:1, 230-460V, SK1S163

ULTRA SMART Encoder Detail

NOTICE Encoder Items NOT included with Ultra Smart drive unit purchase. Must be purchased separately.

ITEM #	DESCRIPTION	PART #	QTY
1	ENCODER BOX, NORD **INCLUDES CORD GRIP**	D000800	1
2	ENCODER PCB NORD	D000084	1
3	ENCODER MAGNETIC WHEEL, 12MM BORE	D000085	1
4	ULTRASMART CONTROLLER CABLE	D000336	SOLD PER FT

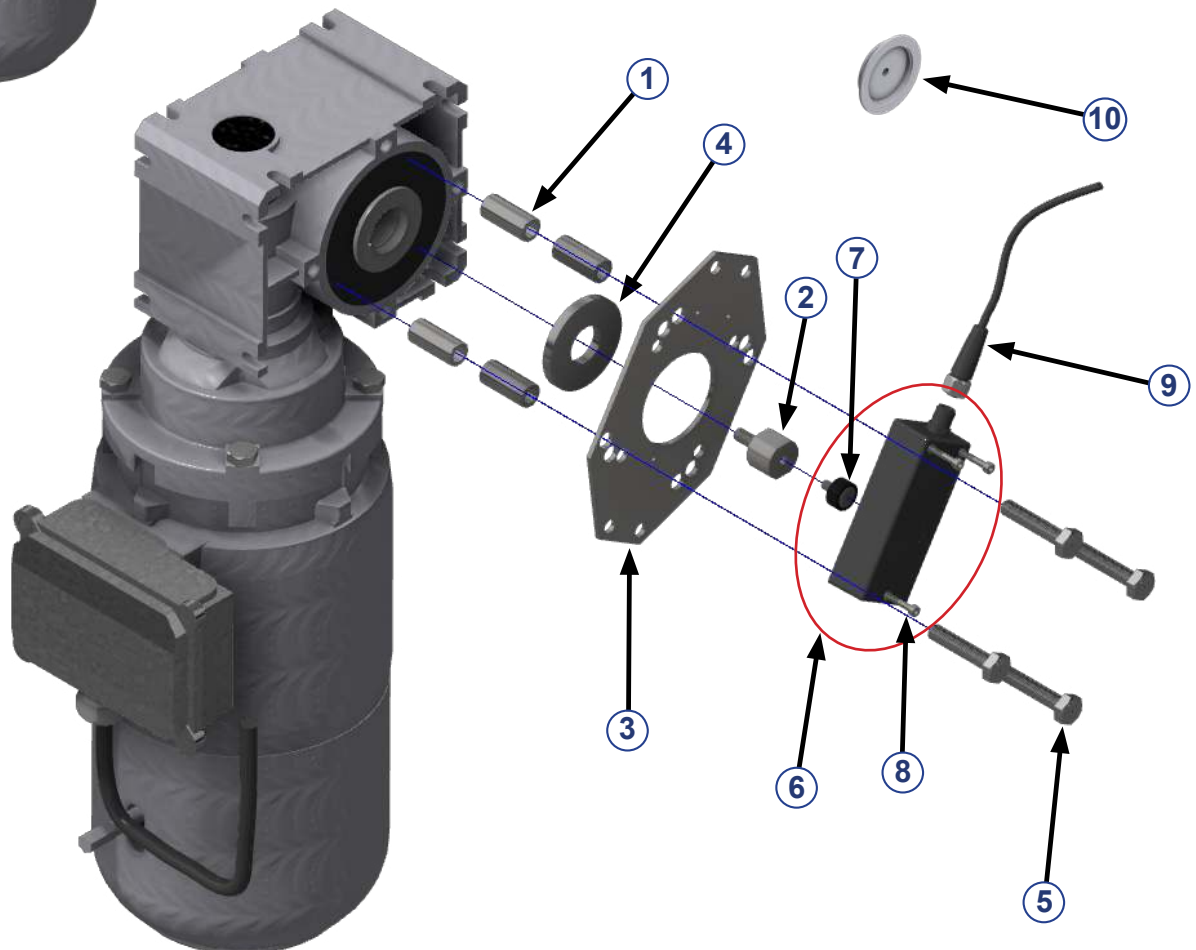


Encoder Detail, ACS100 Control ONLY

RH Drive Shown

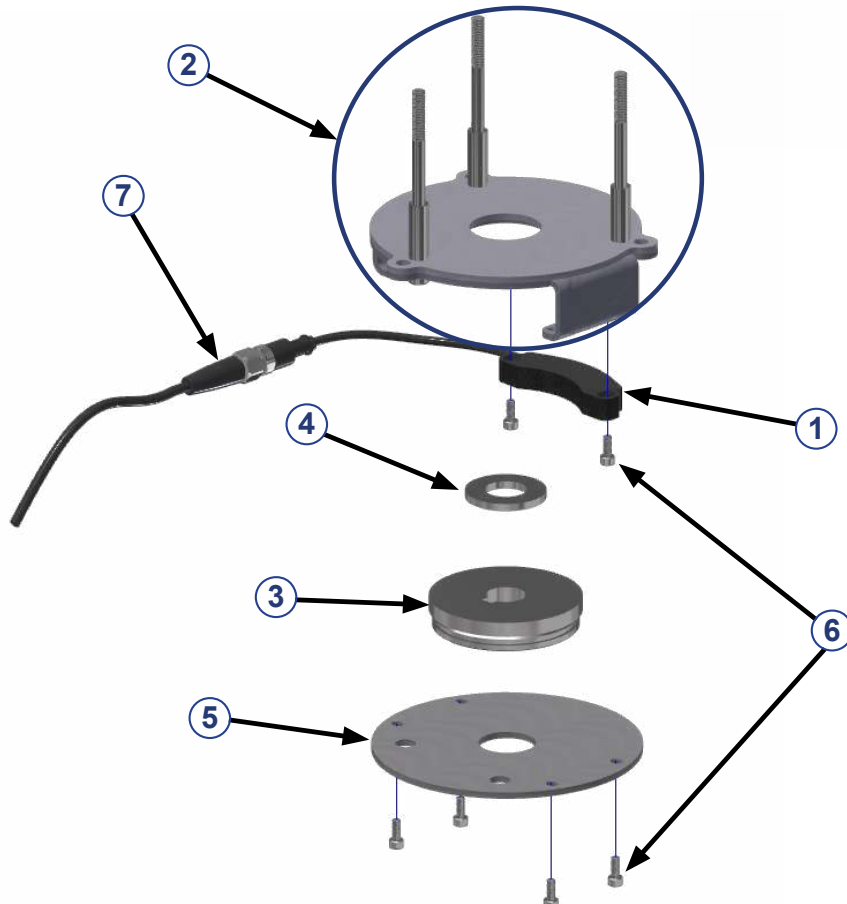


ITEM #	DESCRIPTION	PART #	QTY
1	ENCODER SPACER, 39.0MM LG	4521R2648	4
2	THREADED COUPLING FOR ENCODER MAGNET	4521T1406	1
3	ENCODER SUPPORT PLATE	4521R2645	1
4	ENCODER ADJUSTMENT PLATE	4121R0619	1
5	HEX HEAD SCREW, M10, 35MM LG	5402R0095	4
6	ENCODER ASSEMBLY HPDS <i>**INCLUDES ITEMS 7+8**</i>	4904T0062	1
7	MAGNET, FOR DNC2+ ENCODER	4904T0061	1
8	SCREW, FILLISTER HEAD M4, 30MM LG	5403R0028	3
9	ENCODER CABLE HPDS, 5M	4907T0109	1
	ENCODER CABLE HPDS, 7M	4907T0110	
	ENCODER CABLE HPDS, 10M	4907T0107	
	ENCODER CABLE HPDS, 20M	4907T0111	
	ENCODER CABLE HPDS, 25M	4907T0112	
10	ENCODER CENTERING CONE <i>**INCLUDES ITEMS 7+8**</i>	MCO-2867-01	1



Encoder Detail, MCC Control ONLY

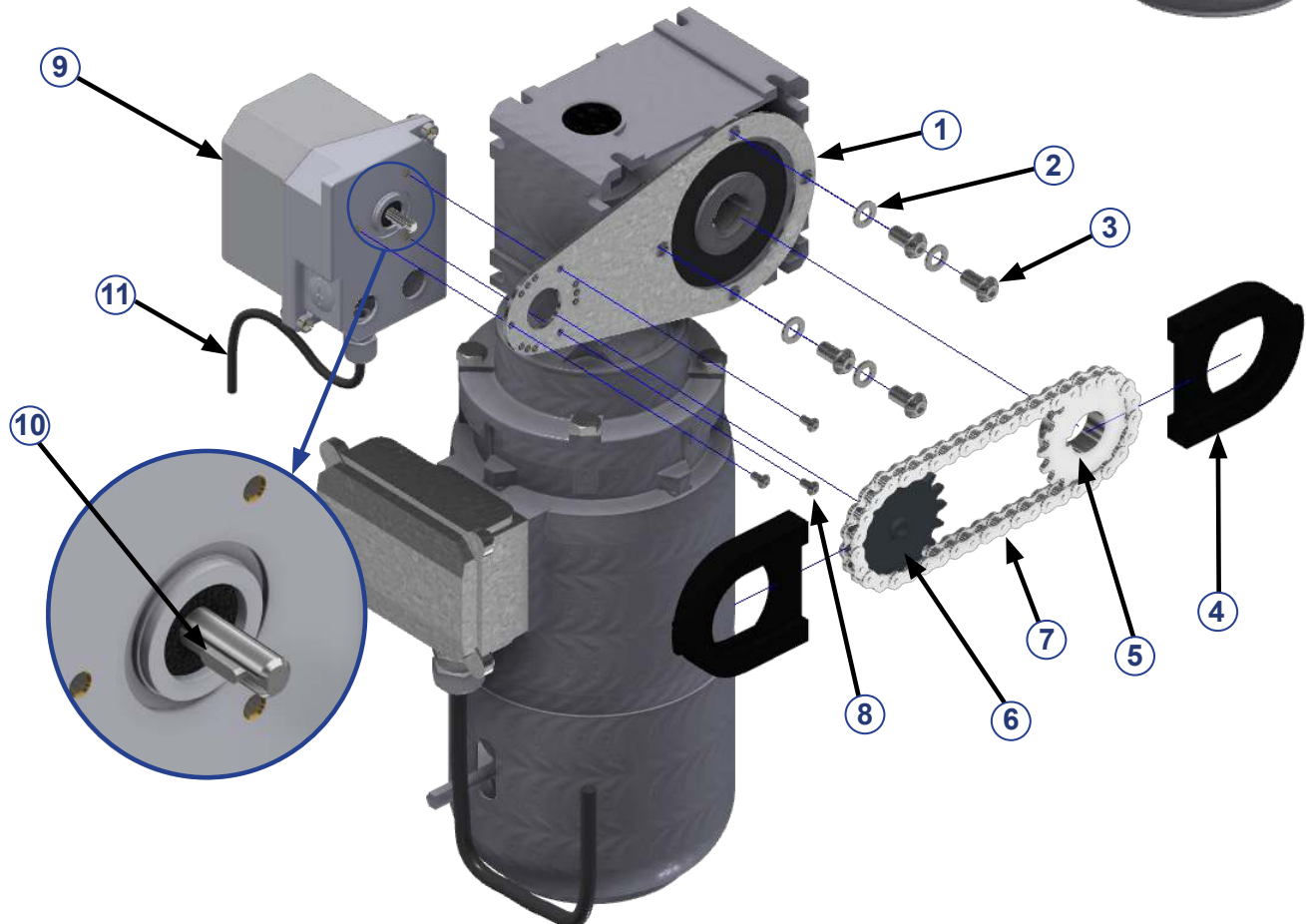
ITEM #	DESCRIPTION	PART #	QTY
1	ENCODER, 50-PULSE (CABLE NOT INCLUDED)	4904R0450	1
2	ENCODER MOUNT ASSEMBLY	4521T0452	1
3	MAGNETIC ENCODER WHEEL, 19MM BORE <i>**if 1.5HP or 2.0HP DRIVE UNIT**</i>	4904T0020	1
	MAGNETIC ENCODER WHEEL, 25MM BORE <i>**if 3.0HP DRIVE UNIT**</i>	4904T0021	
4	SPACER, ENCODER WHEEL, 19MM BORE <i>**if 1.5HP or 2.0HP DRIVE UNIT**</i>	4521T0456	1
	SPACER, ENCODER WHEEL, 25MM BORE <i>**if 3.0HP DRIVE UNIT**</i>	4521T0457	
5	COVER PLATE, ENCODER, NORD MOTOR	4521T0454	1
6	SHCS, M4, 10MM LG	5403R0022	6
7	ENCODER CABLE HPDS, 5M	4907T0109	1
	ENCODER CABLE HPDS, 5M	4907T0110	
	ENCODER CABLE HPDS, 10M	4907T0107	
	ENCODER CABLE HPDS, 20M	4907T0111	
	ENCODER CABLE HPDS, 25M	4907T0112	
	SHIELDED ENCODER CABLE, 2M	4907T0061	
	SHIELDED ENCODER CABLE, 10M	4907R0111	
	SHIELDED ENCODER CABLE, 21.5M	4907R0112	
	SHIELDED ENCODER CABLE, 31.5M	4907R0113	



Limit Box Detail, MCC Control ONLY

RH Drive Shown

ITEM #	DESCRIPTION	PART #	QTY
1	LIMIT BRACKET, STROMAG, SK1S150	D001282	1
	LIMIT BRACKET, STROMAG, SK1S163	D001283	
	LIMIT BRACKET, SK1S163	4521T0488	
2	WASHER, M10	5408R0011	4
3	OVAL HEAD SCREW, M10, 20MM LG	5403R0357	4
4	LIMIT SWITCH CHAIN GUARD	4906R0015	1
5	LIMIT SPROCKET DRUM SHAFT	D001424	1
6	SPROCKET, LIMIT SWITCH BOX	4521R0448	1
7	LIMIT CHAIN, 38 LINKS, 1/2" PITCH	4521T0495	1
	LIMIT CHAIN, 40 LINKS, 1/2" PITCH	4521T0496	
	LIMIT CHAIN, 43 LINKS, 1/2" PITCH	4521T0497	
8	BUTTON SCREW, M5, 10MM LG	5403R0343	3
9	LIMIT SWITCH BOX, 2 SWITCH	4906R0007	1
10	KEY STOCK, LIMIT SWITCH	AP12336	1
11	SAFETY CABLE 7 CONDUCTOR 22AWG	D000534	SOLD PER FT

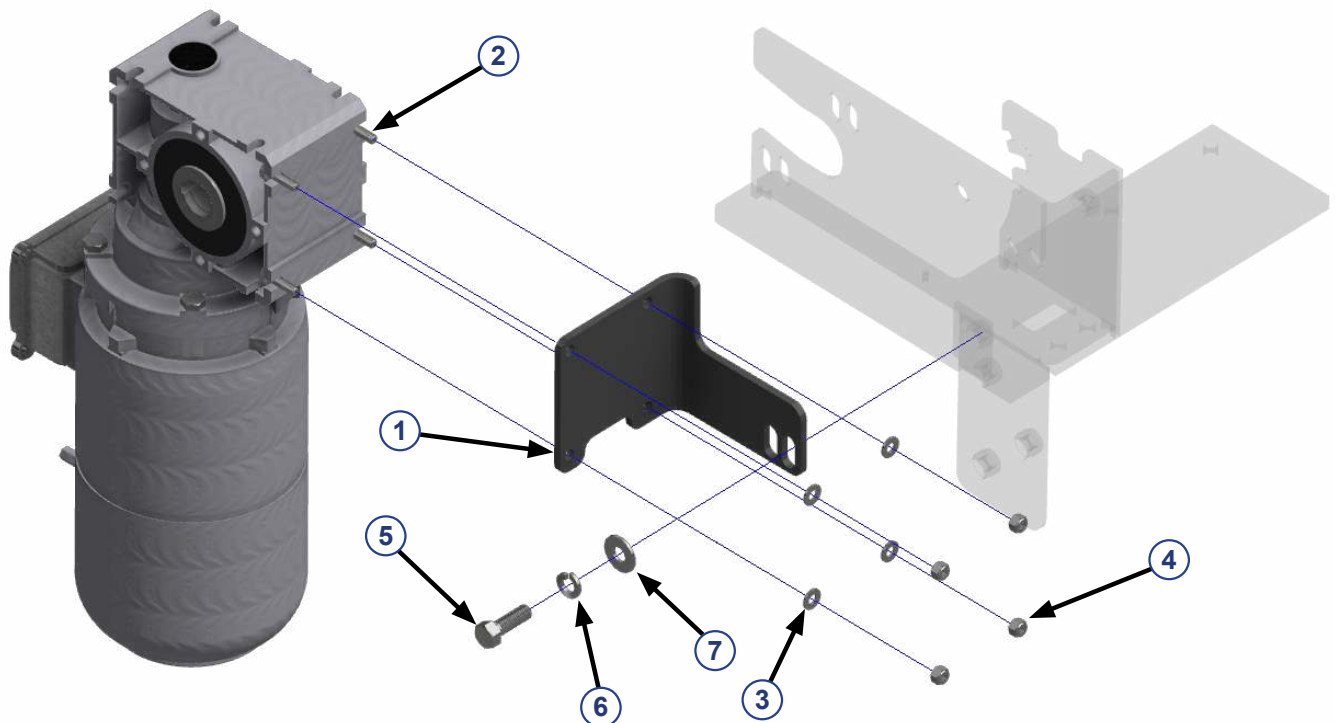


Mounting Detail, All Drive Units

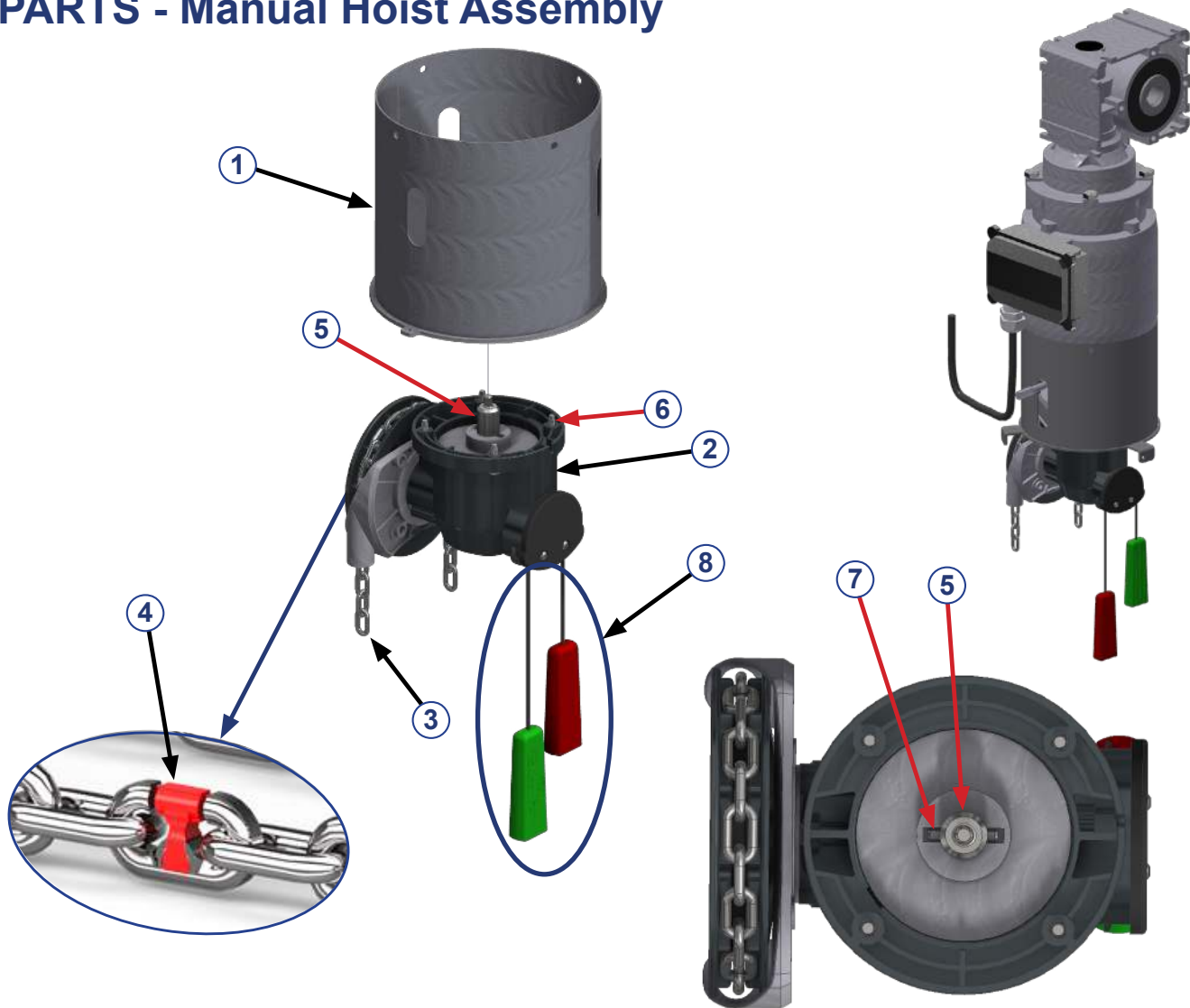
RH Drive Shown



ITEM #	DESCRIPTION	PART #	QTY
1	NORD TORQUE ARM, RH DRIVE	D000743	1
	NORD TORQUE ARM, LH DRIVE	D000744	
2	SERRATED FLANGED SCREW, 5/16"-18, 1.00" LG	D000090	4
3	FLAT WASHER, 5/16"	D000520	4
4	NYLON HEX NUT, 5/16"-18	D000091	4
5	HEX BOLT, 1/2"-13, 1.625" LG	D000422	1
6	LOCK WASHER, 1/2"	D000420	1
7	USS FLAT WASHER, 1/2"	D000421	1



PARTS - Manual Hoist Assembly



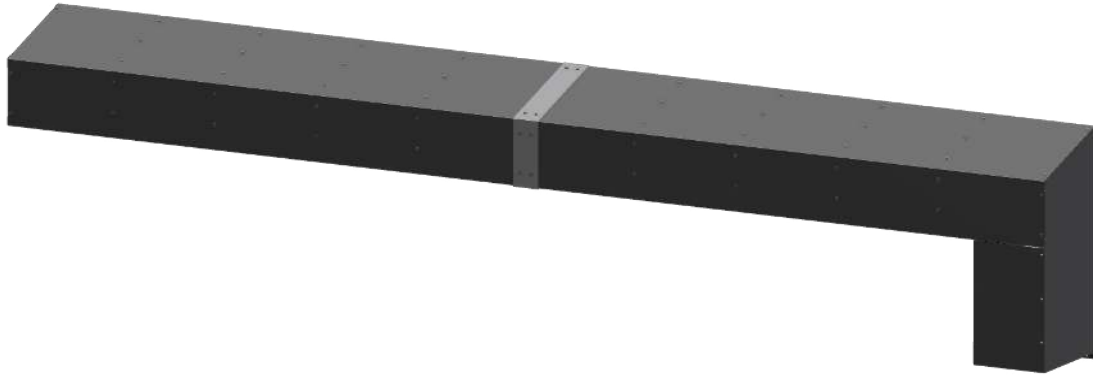
ITEM #	DESCRIPTION	APS P/N	QTY
-	KIT, CHAINHOIST, ACS100 CONTROL, SIZE 80 (INCLUDES ITEMS 1-7)	AP12016	-
-	KIT, CHAINHOIST, ACS100 CONTROL, SIZE 90 (INCLUDES ITEMS 1-7)	AP12017	
-	KIT, CHAINHOIST, ACS100 CONTROL, SIZE 100 (INCLUDES ITEMS 1-7)	AP12018	
1	CHAINHOIST ADAPTER WELDMENT	CONTACT APS RESOURCE FOR INQUIRES	1
2	HOIST, HAND CHAIN GFA (WITHOUT CHAIN) **INCLUDES ITEM 6 + 8**	6625T0002	1
3	CHAIN - GFA HAND CRANK	5105T0004	<i>Length = DH * 2</i>
4	CONNECTING SPLIT LINK	5105T0005	1
5	KNH ADAPTER, ACS100 CONTROL ONLY	4521R2256	1
6	SCREW, THREAD-FORMING, M6, 20MM LG, T30 DRIVE	AP11225	4
7	ROLL PIN, 5x26MM	5410R0017	1
8	HANDLE, CHAIN HOIST, RED & GREEN, 10M LONG CORD (Replacement only)	6625T0006	1

NOTE: All references to "DH" refer to the Door Height and measurement in feet.



PARTS - Top Roll and Motor Cover

RH Drive Shown

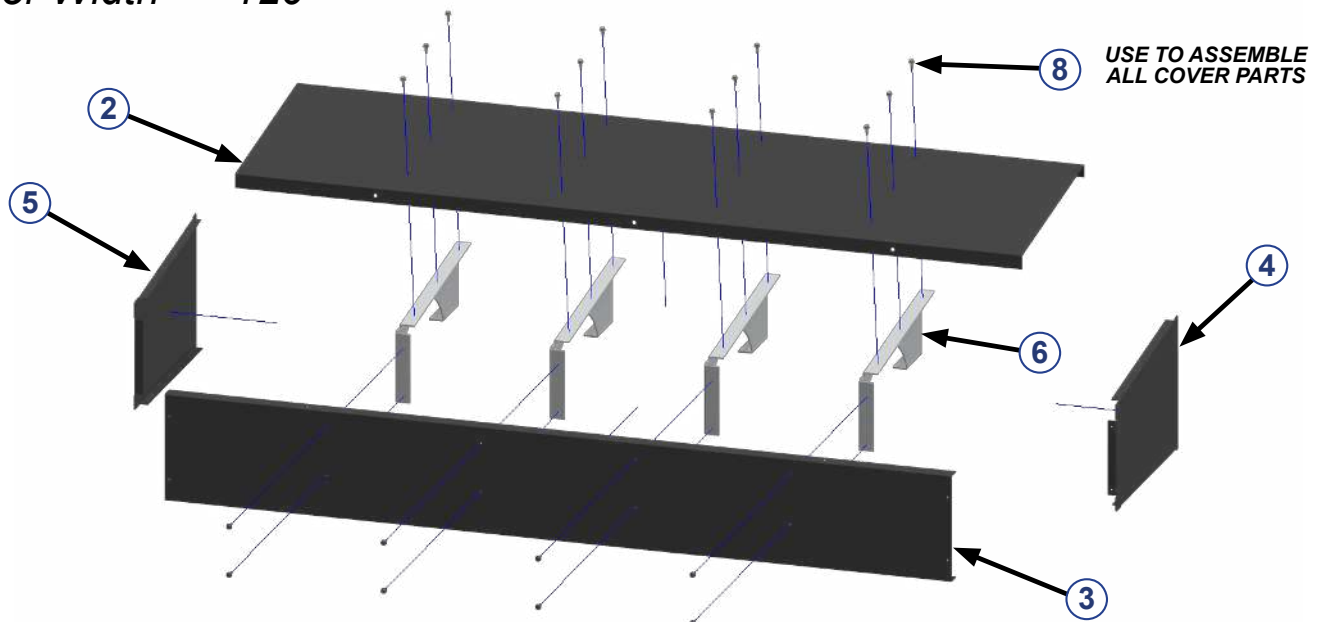


NOTE: Covers come in Black Powder Coat Steel. Contact APS Resource for Aluminum and Stainless Steel Finishes.

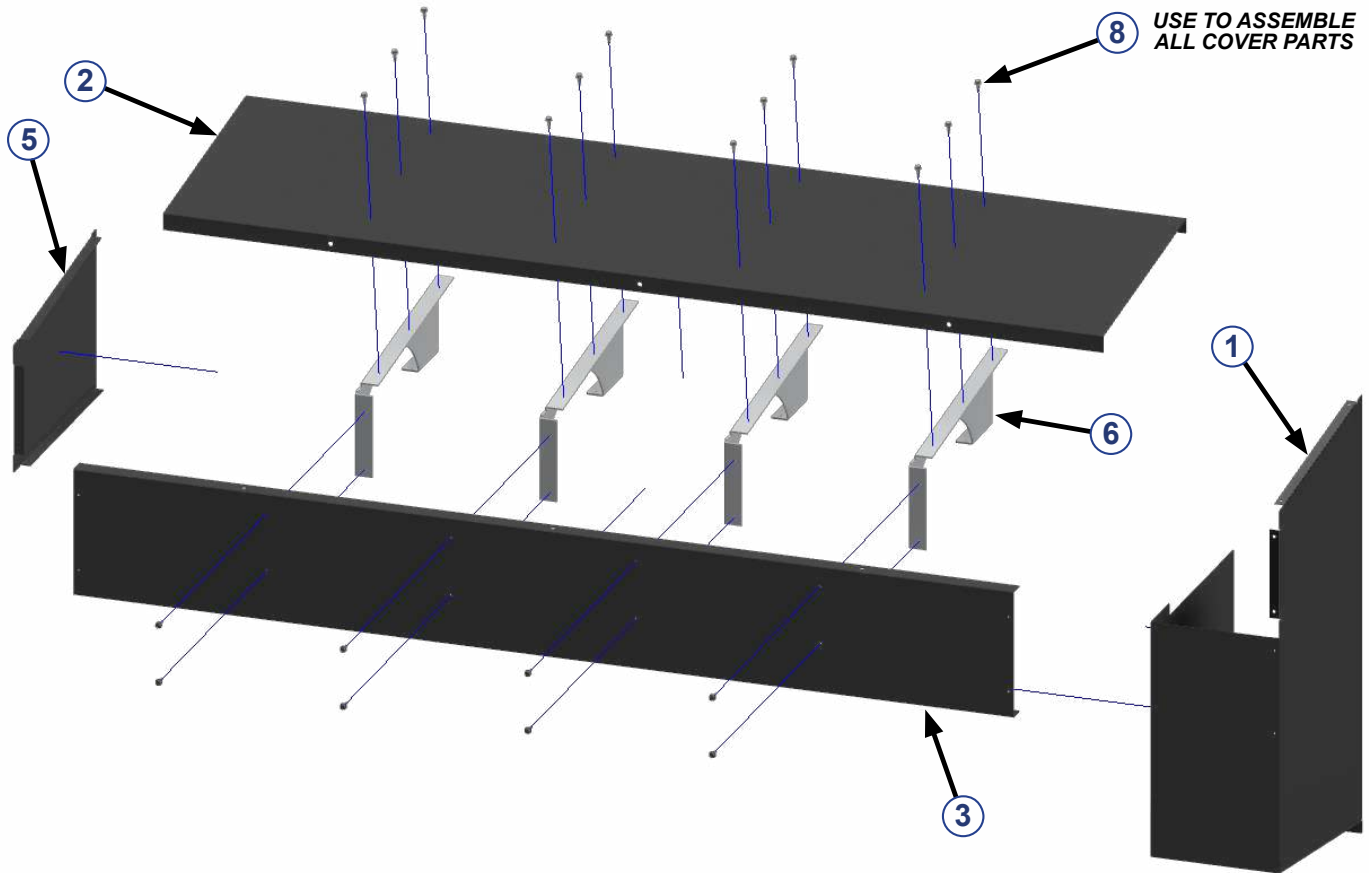
ITEM #	DESCRIPTION	PART #	QTY
1	MOTOR COVER ONLY, RH DRIVE	AP14184	1
	MOTOR COVER ONLY, LH DRIVE	AP14187	
2	SLANTED HOOD COVER	AP14188	SUBMIT DW WITH ORDER
3	HOOD SPREADER	AP14189	
4	TOP ROLL END CAP, RIGHT SIDE	AP14191	1
5	TOP ROLL END CAP, LEFT SIDE	AP14192	
6	HOOD BRACKET SLANTED	AP14193	VARIABLES
7	SLANT HOOD CONNECTOR	AP14194	1 if DW > 118"
8	HEX DRILLING SCREW, 1/4"-14, 3/4" LG	AP7340	VARIABLES

NOTE: All references to "DW" refer to the Door Width measurement in inches.

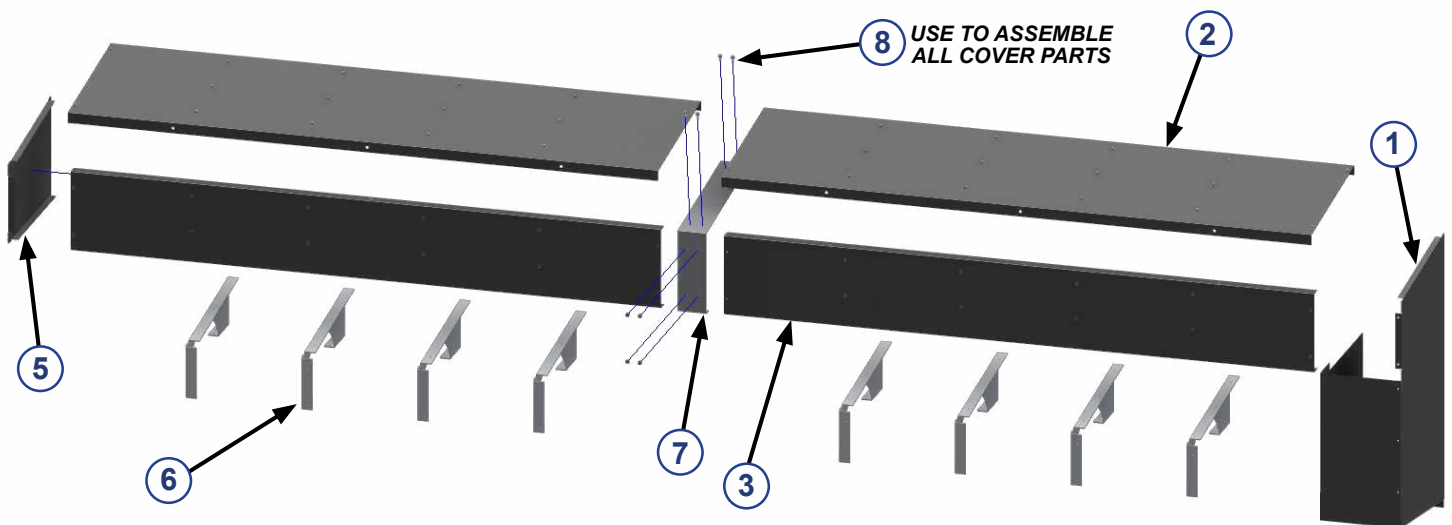
One Piece Top Roll Cover Only If Door Width <= 120"



One Piece Top Roll Cover and Motor Cover
if Door Width \leq 120"
RH Drive Shown

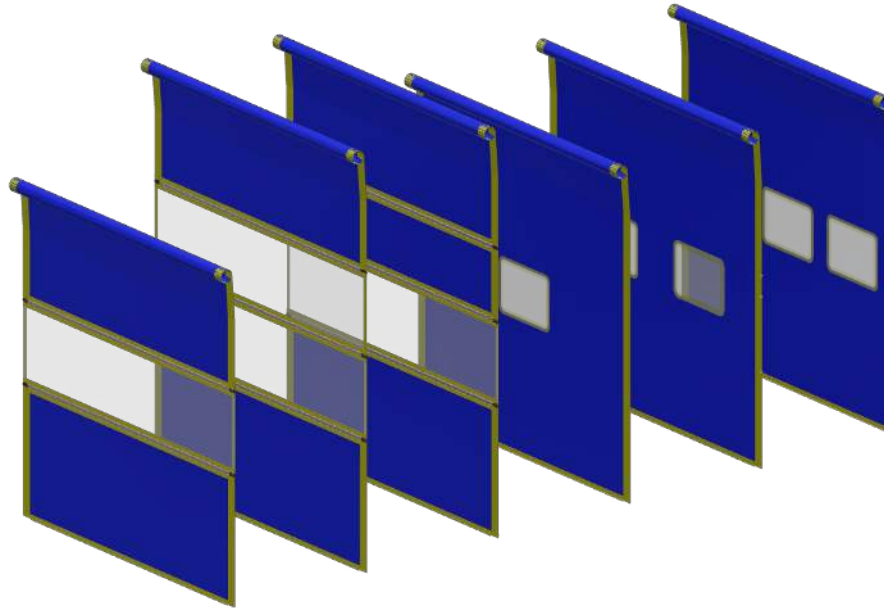


Two Piece Top Roll Cover and Motor Cover
if Door Width $>$ 120"
RH Drive Shown





PARTS - Fabric Curtain



Ordering Full or Section Curtain Fabric Panels.

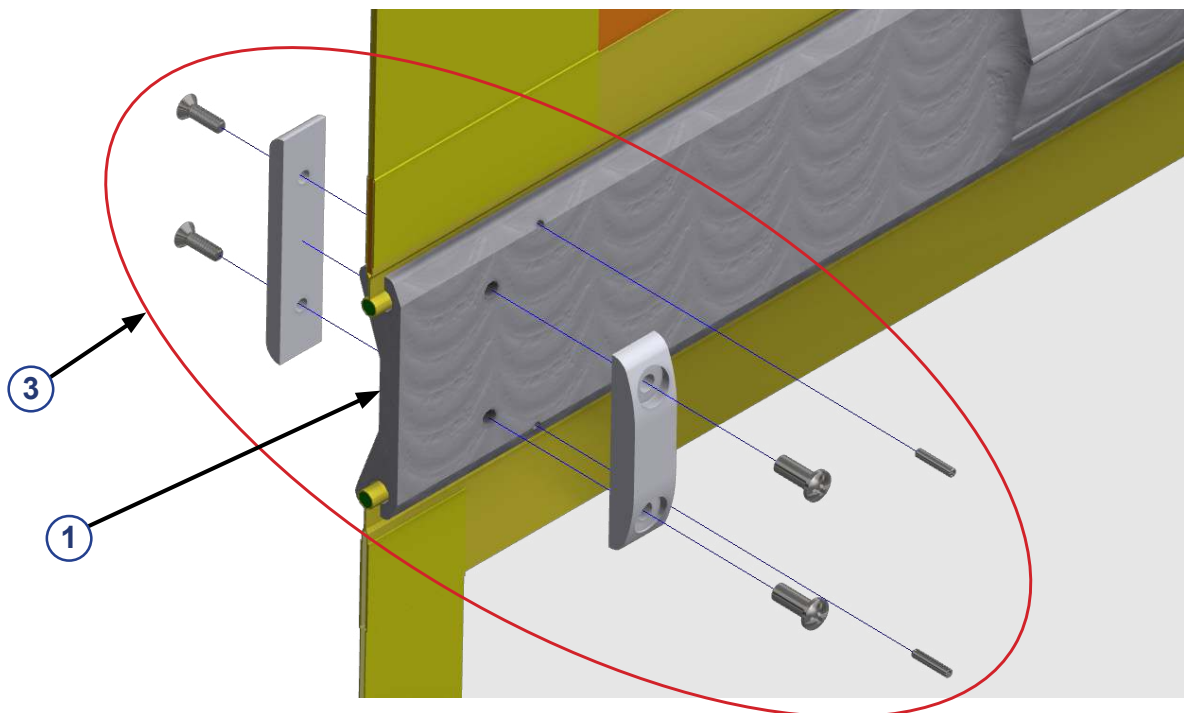
For ordering replacement fabric or vision panels, contact APS Resource customer service for assistance.

SECTION PANEL CURTAIN		ONE PIECE CURTAIN	
PANELS AVAILABLE		PANELS AVAILABLE	
TOP PANELS		NO WINDOW PANEL	1 WINDOW PANEL
MIDDLE PANEL			
MIDDLE PANEL W/ WINDOWS		2 WINDOW PANEL	3 WINDOW PANEL
VISION PANELS			
BOTTOM PANELS			

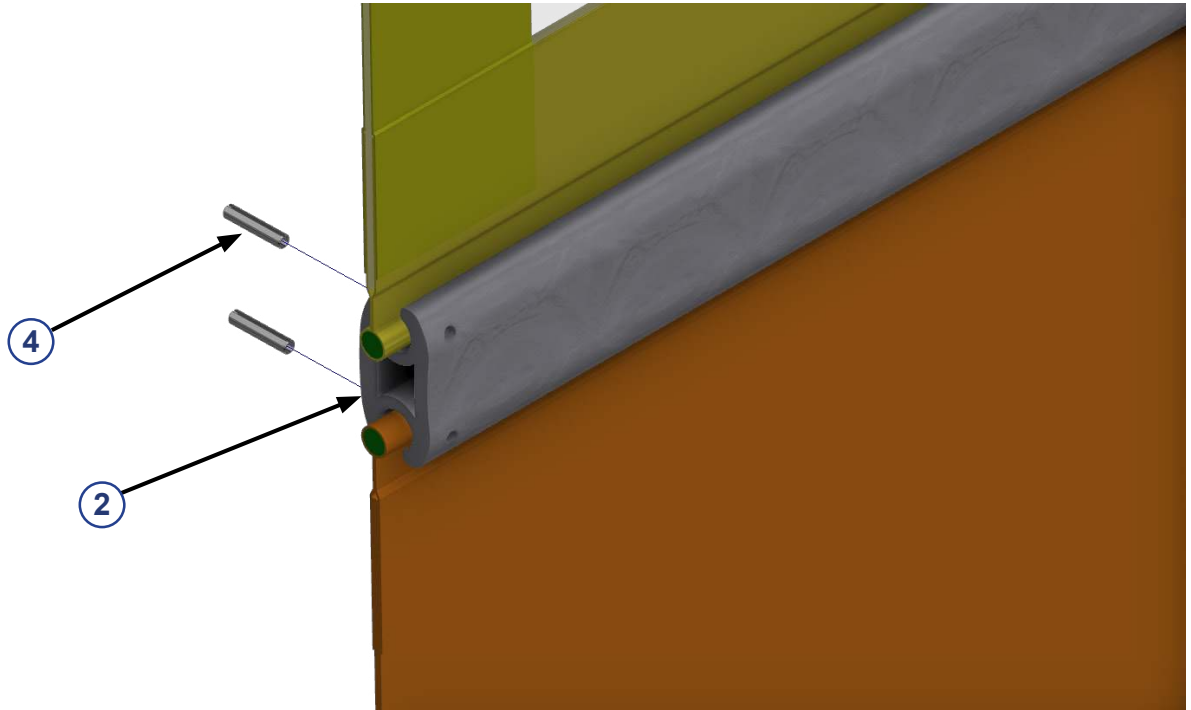
PARTS - Fabric Curtain Hardware

ITEM #	DESCRIPTION	PART #	QTY	
1	HIGH STRENGTH WIND RIB	if DW >= 72"	AP12501	SUBMIT CUT SIZE WITH ORDER
		if 72" < DW <= 84"	AP12502	
		if 84" < DW <= 96"	AP12503	
		if 96" < DW <= 108"	AP12504	
		if 108" < DW <= 120"	AP12505	
		if 120" < DW <= 132"	AP12506	
		if 132" < DW <= 144"	AP12507	
		if 144" < DW <= 156"	AP12508	
		if 156" < DW <= 168"	AP12509	
		if 168" < DW <= 180"	AP12510	
		if 180" < DW <= 192"	AP12511	
		if 192" < DW <= 204"	AP12512	
		if 204" < DW <= 216"	AP12513	
		if 216" < DW <= 228"	AP12514	
		if 228" < DW <= 240"	AP12515	
		if 240" < DW <= 264"	AP12516	
2	STANDARD WIND RIB	if DW <= 144"	AP11825	SUBMIT CUT SIZE WITH ORDER
		if DW > 144"	AP11830	
3	HS WIND RIB RETENTION BLOCK ASSEMBLY <i>**INCLUDES ITEM 4**</i>	K001371	1 PER WIND RIB	
4	SPRING PIN 1/8" DIA X 5/8" LG	D000058	4 PER WIND RIB	

High Strength Wind Rib Assembly



Standard Wind Rib Assembly



ALBANY

ENTRE//MATIC



Puertas & Portones Automaticos S.A. de C.V.

¡Nuestra pasión es la Solución!....

»PUERTAS RAPIDAS ENROLLABLES MARCA ALBANY MOD.ULTRAFAST.

ALBANY

ENTRE//MATIC

(229) 461-7028

portonesautomaticos@adsver.com.mx
ads.portonesautomaticos@outlook.com



V05.26



(229) 927-55107, 167-8080, 167-8007, 151-7529

www.adsver.com.mx